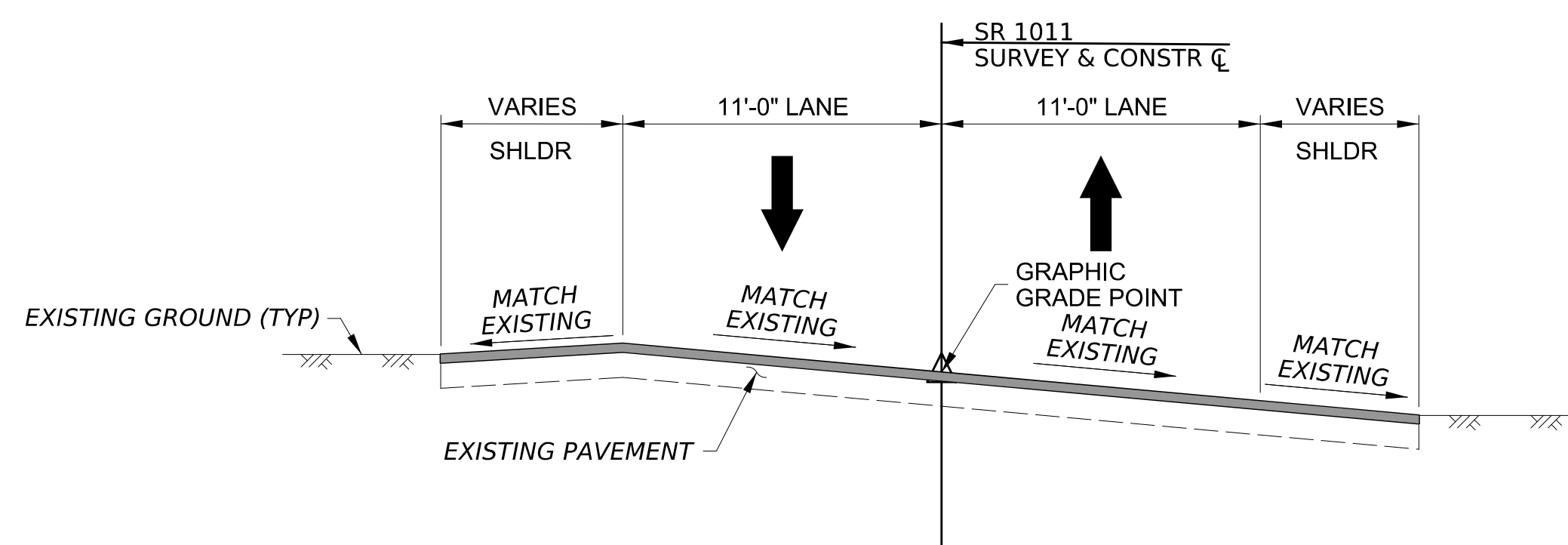


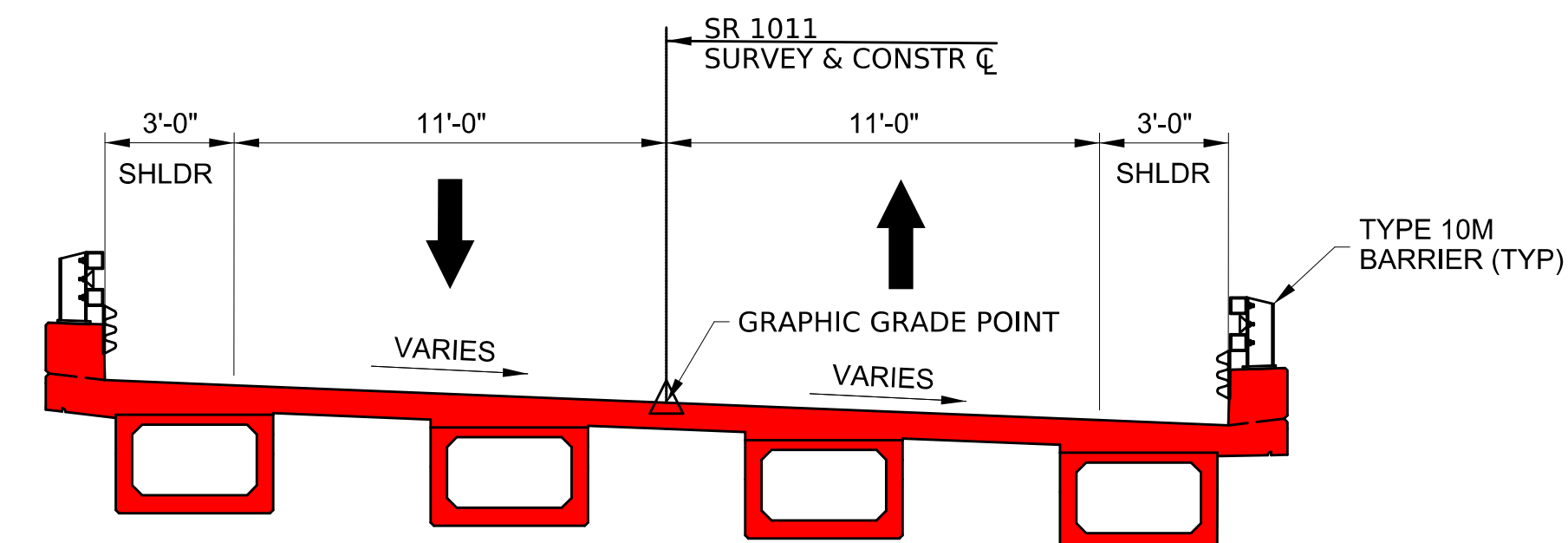
SR 1011-01B BRIDGE REPLACEMENT PROJECT

RYAN TOWNSHIP, SCHUYLKILL COUNTY



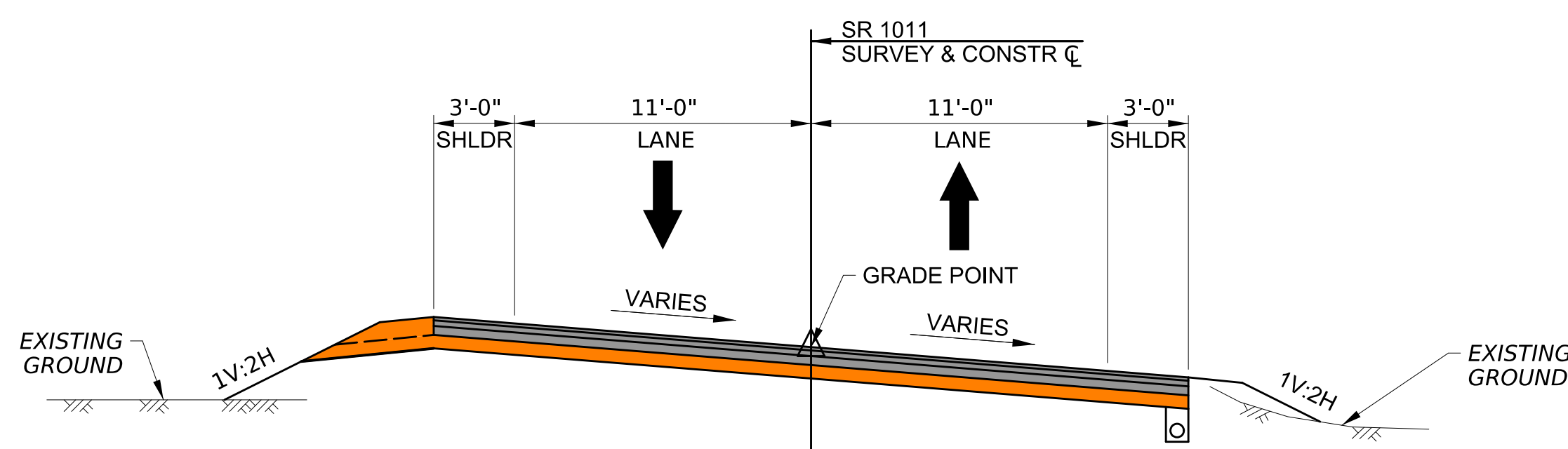
SR 1011
TYPICAL MILL & OVERLAY SECTION

NOT TO SCALE
STA 160+00.00 TO STA 160+75.00



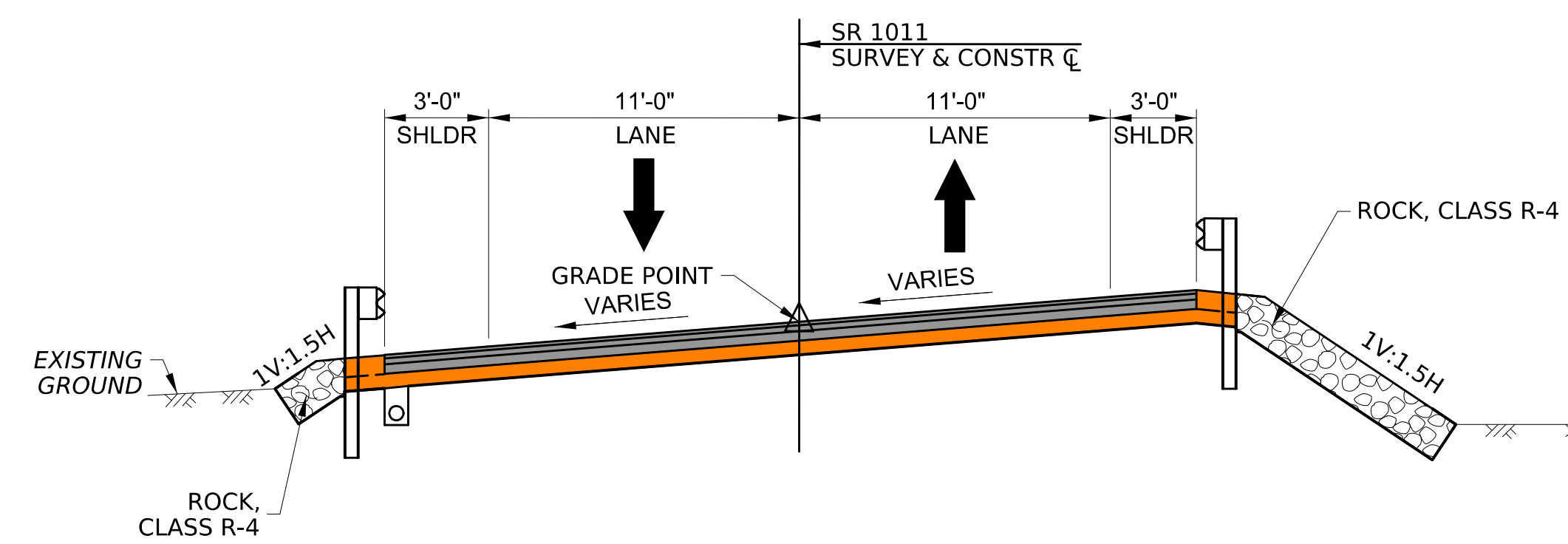
SR 1011
TYPICAL BRIDGE SECTION

NOT TO SCALE



SR 1011
TYPICAL FULL DEPTH SECTION
SOUTHERN APPROACH

NOT TO SCALE
STA 160+75.00 TO STA 162+84.50



SR 1011
TYPICAL FULL DEPTH SECTION
NORTHERN APPROACH

NOT TO SCALE
STA 163+81.50 TO STA 165+00.00

LEGEND:

- NEW PAVEMENT STRUCTURE
- NEW SUBBASE
- NEW BRIDGE SUPERSTRUCTURE



Engineering | Design | Planning | Construction Management

FILE NAME: X:\SCR-2018415.00_E04468 District 5-0 Open End\09_SR 1011-01B\SR 1011-01B\Plans\Public Meeting\53-1011-01B_Typ Section.dgn
PLOTTED: 28-APR-2023 10:09
GREENMAN-PEDERSEN, INC.