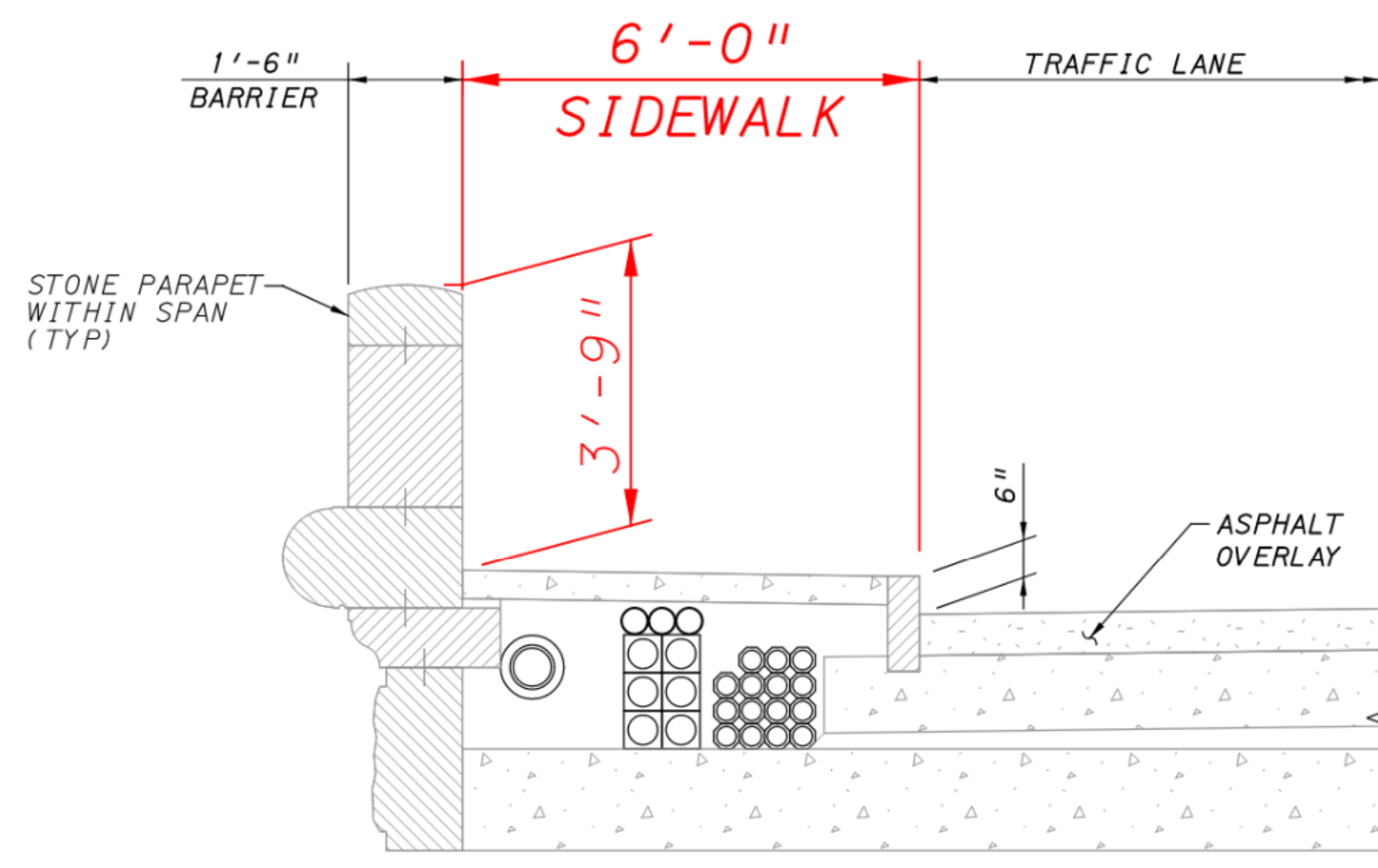


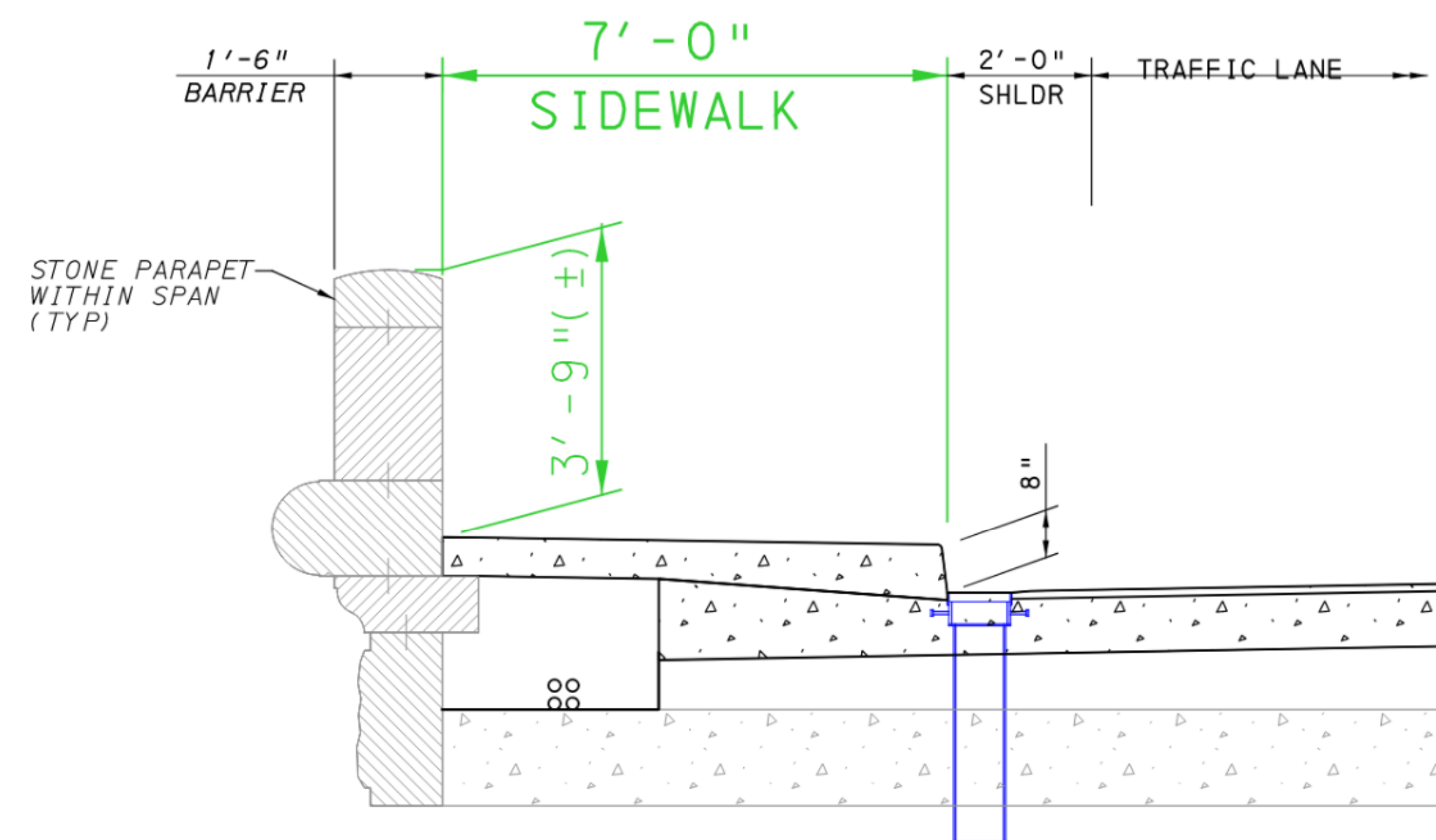
East Bridge

Existing

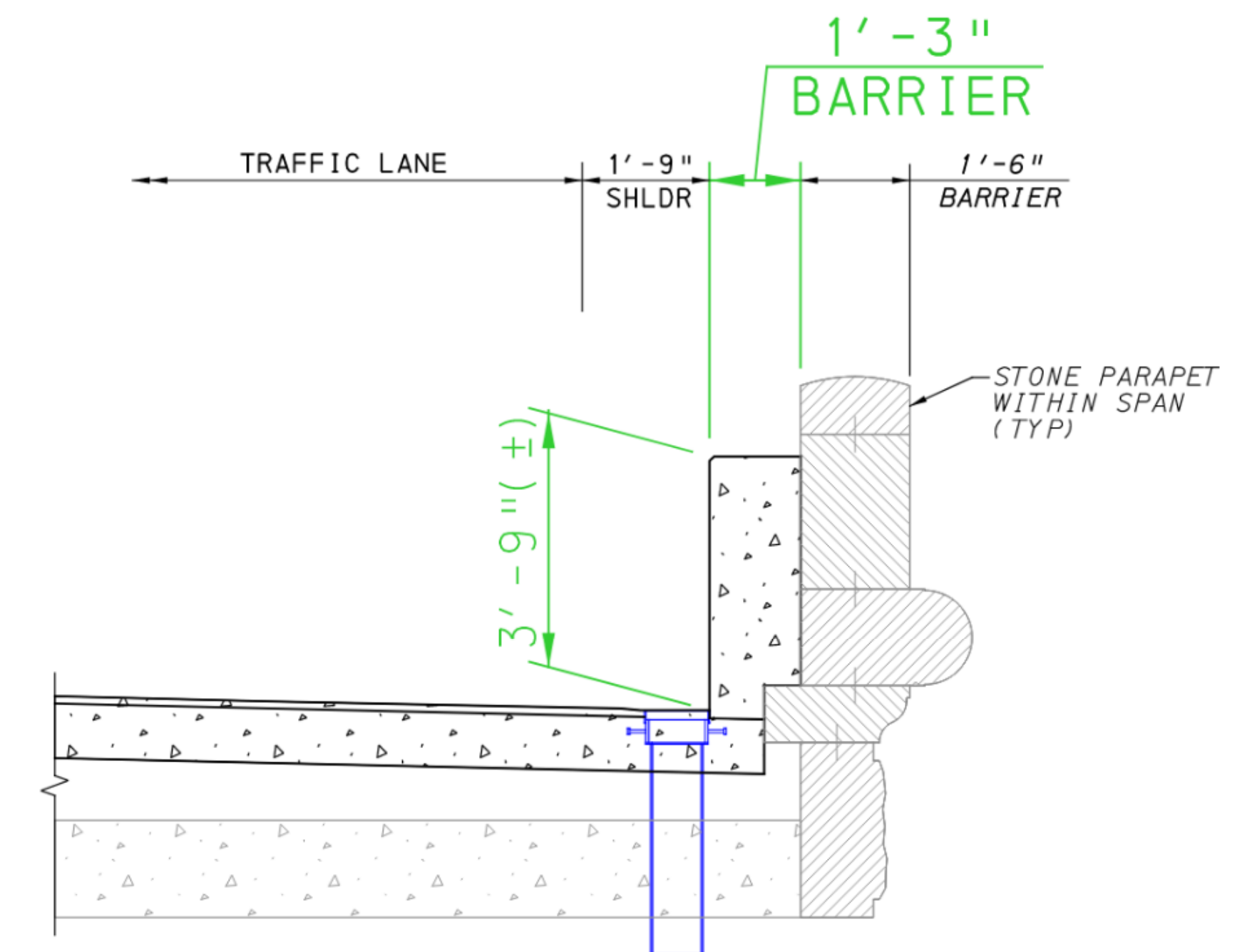
Proposed



EXISTING SIDEWALK/BARRIER
(UPSTREAM SIDE SHOWN)
(DOWNSTREAM SIDE SIMILAR)



PROPOSED SIDEWALK/BARRIER
(UPSTREAM SIDE)



PROPOSED BARRIER
(DOWNSTREAM SIDE)

Existing Historic Cut Sandstone Parapet

Preserve Historic Cut Sandstone Parapet